

NAME: EMAIL:
 PHONE: ADDRESS LINE 1:
 DATE: ADDRESS LINE 2:

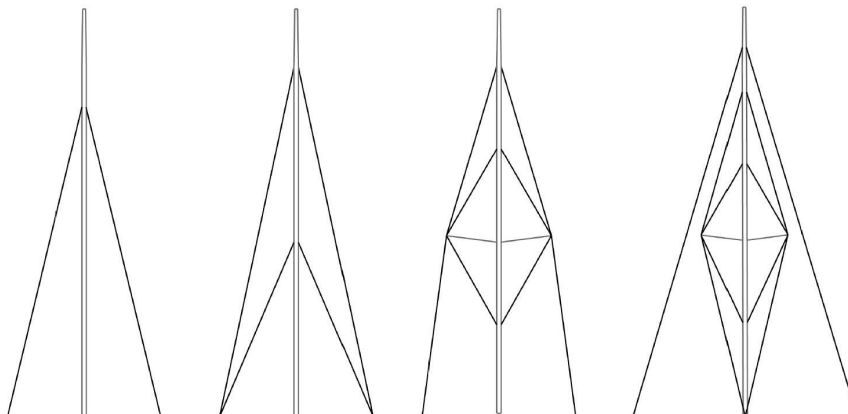
CRAFT DATA

Catamaran Windward hull to be flown above water: Yes No
 Trimaran Trimaran outer pontoon volume: litres

Overall length: mm Max beam: mm C-C Hulls: mm

Displacement: kg Displacement valid for: Yacht empty Yacht equipped

RIG SETUP



Lower shroud No lower shroud

Permanent inner forestay: Yes No

Rotating Non-rotating Standard mainsail Square top

Other rigging particulars:

Forestay height [mm]:

FH

Cutter stay height [mm]:

CSH

Main sail luff length [mm]:

P

Boom height (top of boom) [mm]:

BH

Main sail foot length [mm]:

E

Main sheet distance from aft face of mast [mm]:

S

Coach roof height above cap-chainplate [mm]:

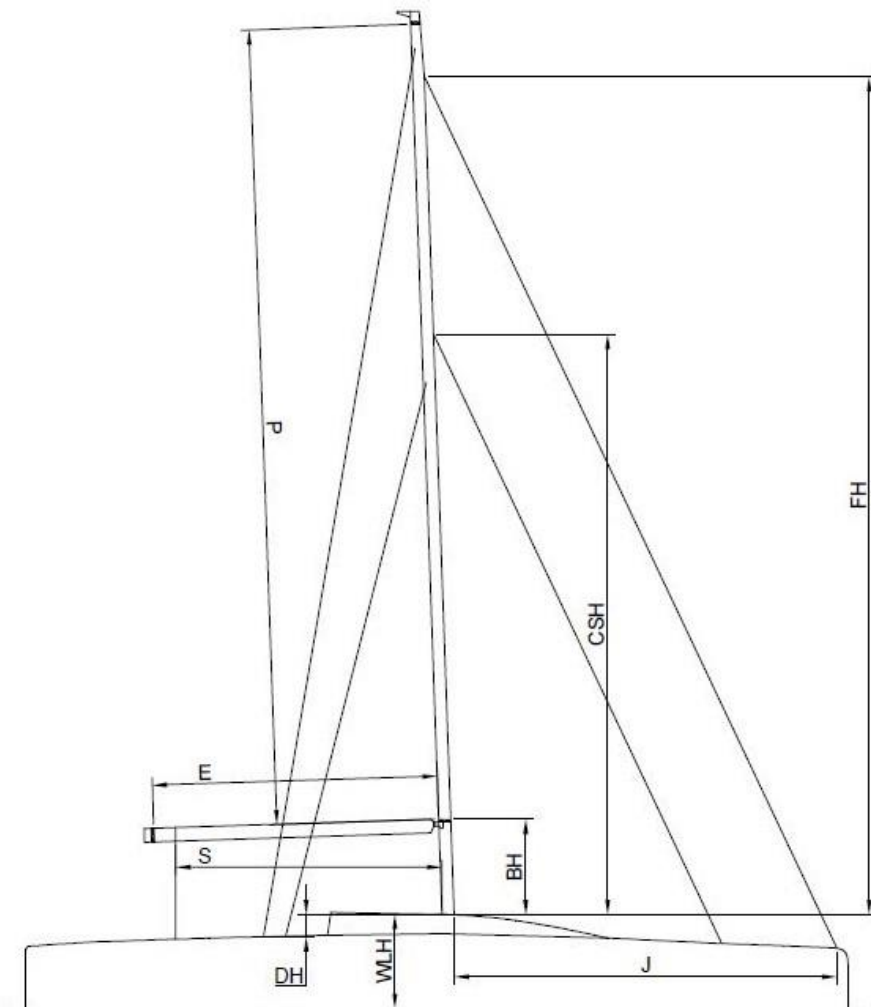
DH

Coach roof height above waterline [mm]:

WLH

Base of the foretriangle [mm]:

J



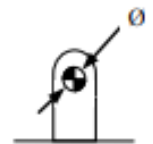
CHAINPLATES

Mast rake: °

Chainplate **below** coach roof: „+”

Chainplate **above** coach roof: „-”

	Lateral	Longitudinal	Vertical	Ø
CAP* [mm]				
LWR [mm]				
FS [mm]				
CS [mm]				



Other chainplates particulars:

